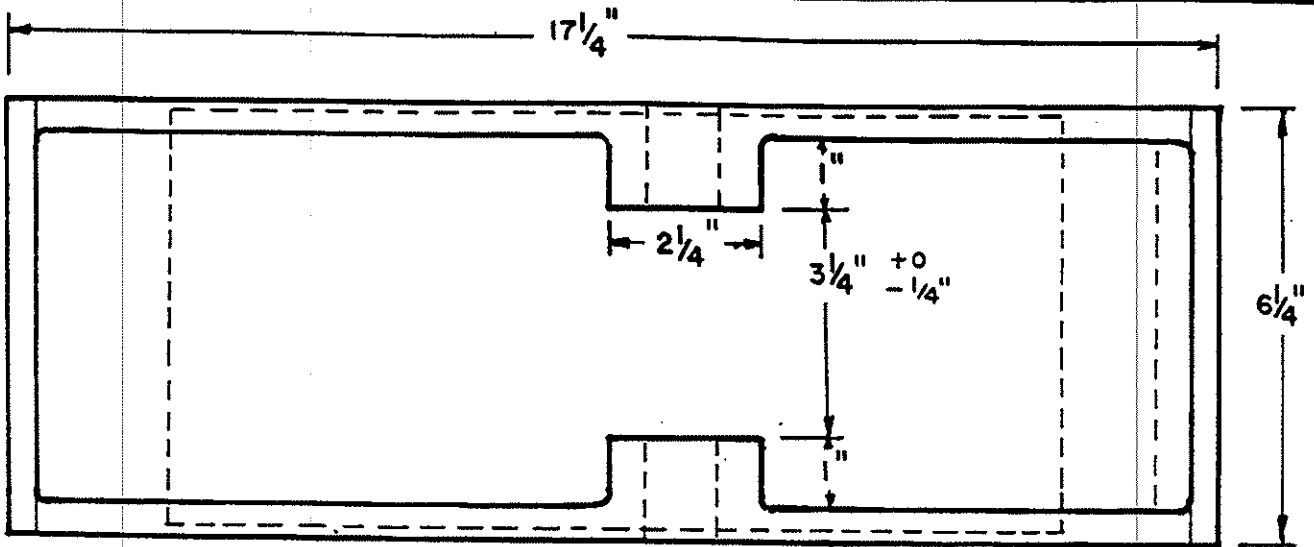
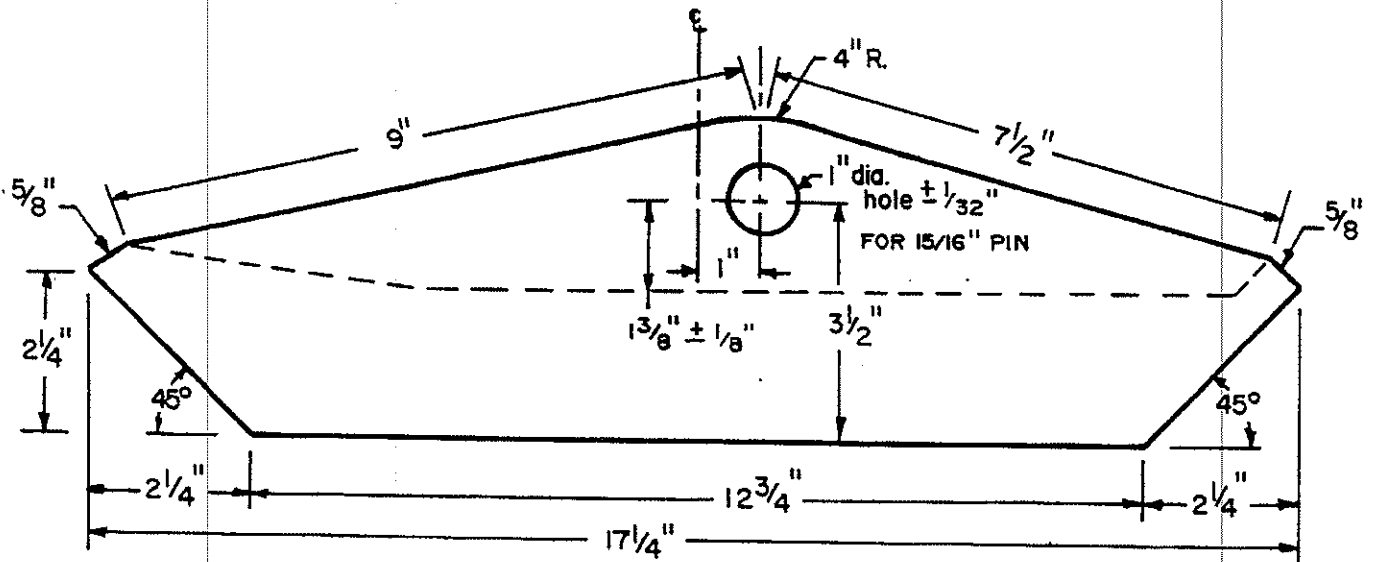


PLOW SHOE
DH 201
SCALE: 1/2" = 1"
BRM 07/94

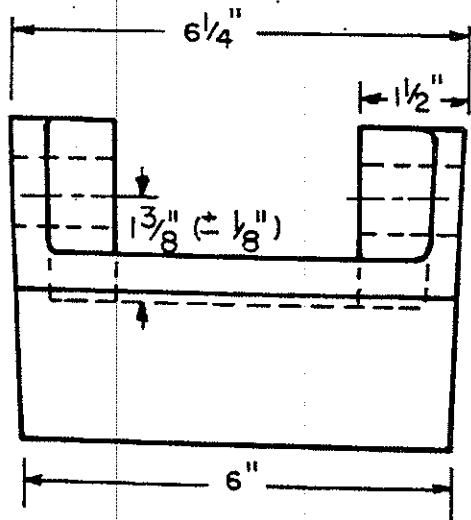
November 2011
 P.E.I. Dept. Of Transportation
 & Infrastructure Renewal



TOP VIEW



SIDE VIEW



END VIEW

**PLOW SHOE
DH 12**

SCALE: $\frac{3}{8}'' = 1''$

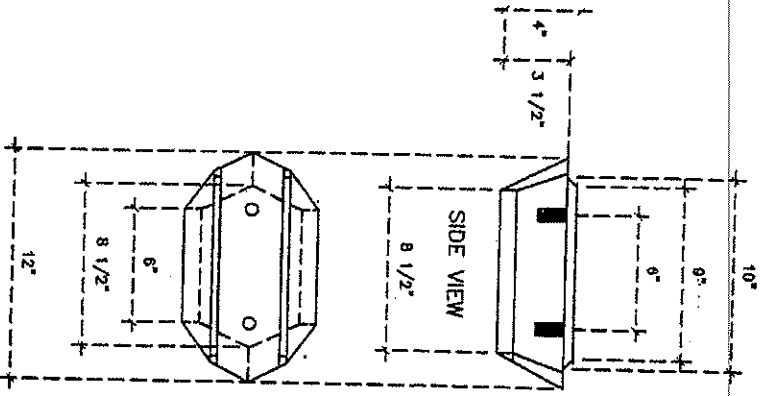
BRM 05/94

REV. "A" 04/98

November 2011

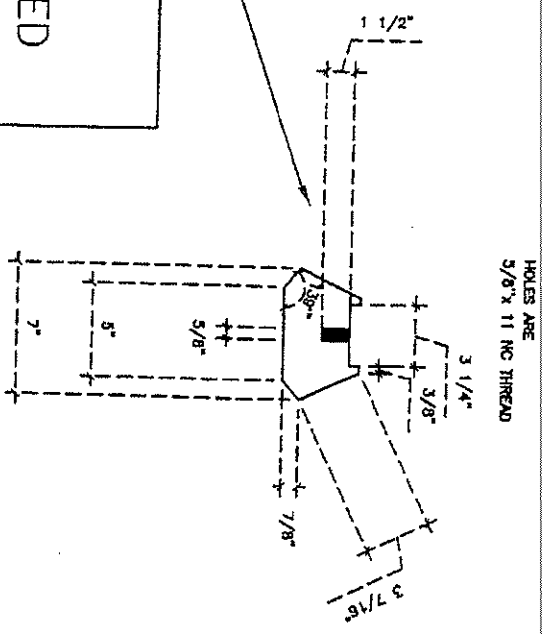
P.E.I. Dept. Of Transportation
& Infrastructure Renewal

REV. "B" 12/99



TOP VIEW

NOTE
 5/8" x 11 NC THREADED
 1-1/2" DEEP



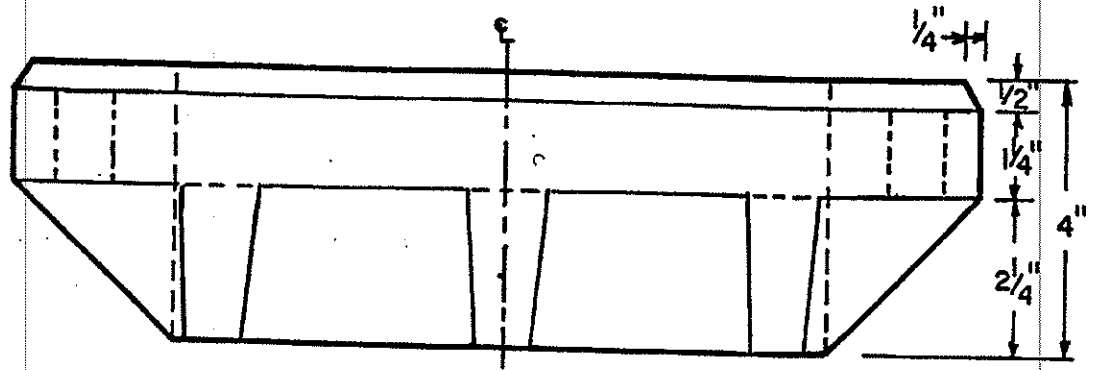
END VIEW

DH 132

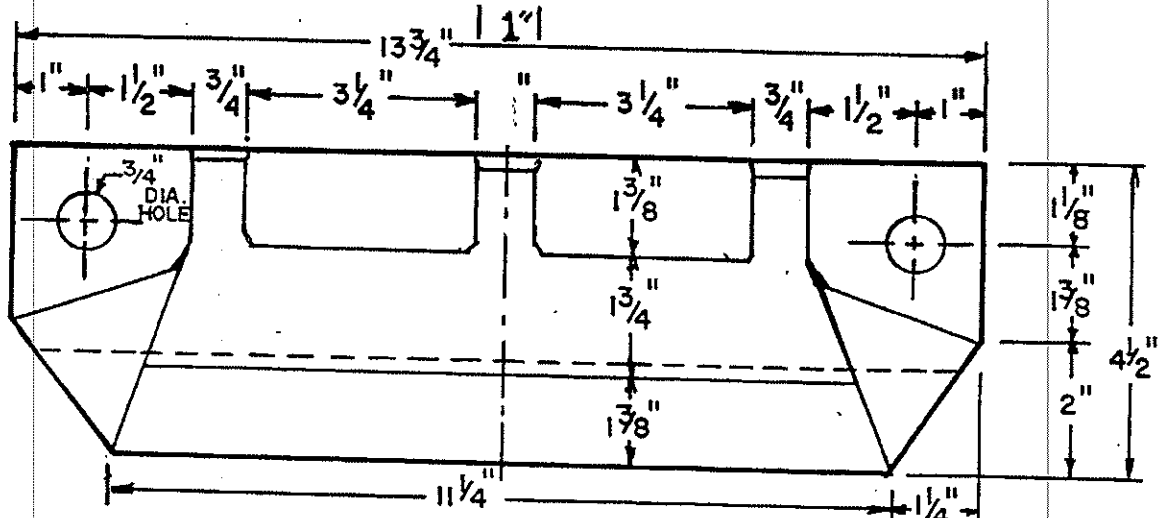
NEW FOR 2008/2005 TENDER.

DEPT. of TRANSPORTATION & PUBLIC WORKS	
DATE	12/03
BY	K.M.
NO.	1

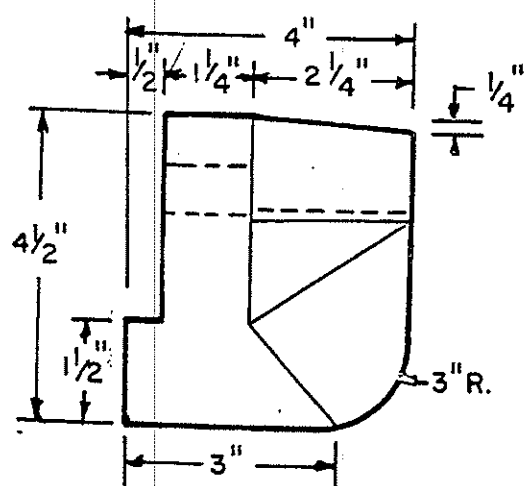
November 2011
 P.E.I. Dept. Of Transportation
 & Infrastructure Renewal



TOP VIEW



SIDE VIEW



END VIEW

PLOW SHOE
#DH 201-B
 SCALE: 3/8" = 1"
 BRM 05/94

November 2011
 P.E.I. Dept. Of Transportation
 & Infrastructure Renewal