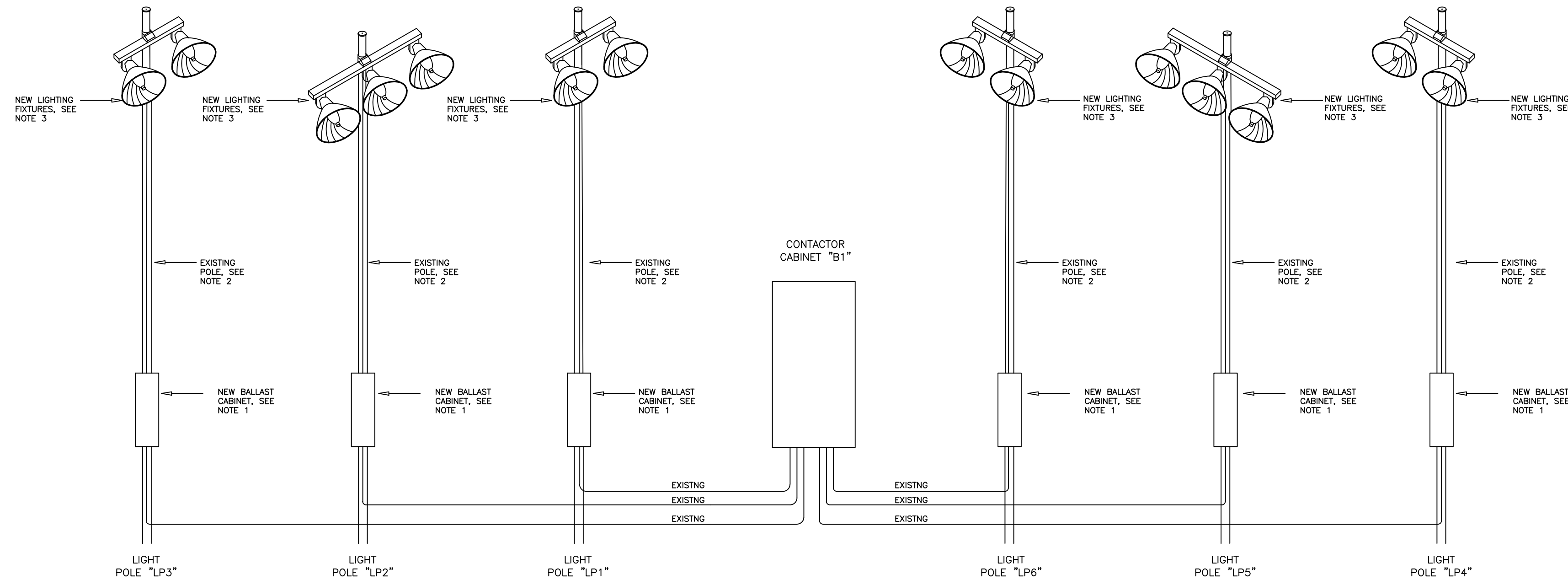


POLE #	POLE HEIGHT	# OF FIXTURES	HID LAMP WATTAGE
LP1	50'	2	1500W
LP2	50'	3	1500W
LP3	50'	2	1500W
LP4	50'	2	1500W
LP5	50'	3	1500W
LP6	50'	2	1500W
TOTALS		14	21840W



1 UPPER BALL FIELD LIGHTING WIRING SCHEMATIC
SCALE : N.T.S.

1. DISCONNECT AND REMOVE THE EXISTING PVC BALLAST & JUNCTION BOXES AND INSTALL THE NEW BALLAST BOX ON THE EXISTING POLE, RE-USE AND RE-ROUTE THE EXISTING CONDUIT UP THE POLE FROM THE NEW BALLAST BOX TO THE NEW LIGHTING FIXTURES.
2. REMOVE EXISTING CONDUCTORS IN EXISTING CONDUIT AND SUPPLY AND INSTALL NEW CONDUCTORS IN THE EXISTING CONDUIT FROM THE NEW BALLAST BOX TO THE NEW LIGHTING FIXTURES.
3. DISCONNECT AND REMOVE THE EXISTING LIGHTING FIXTURES AND CROSSARMS AND INSTALL NEW FIXTURES AND CROSSARMS. TURN OVER EXISTING LIGHTING EQUIPMENT TOT EH OWNER.

NOTES:

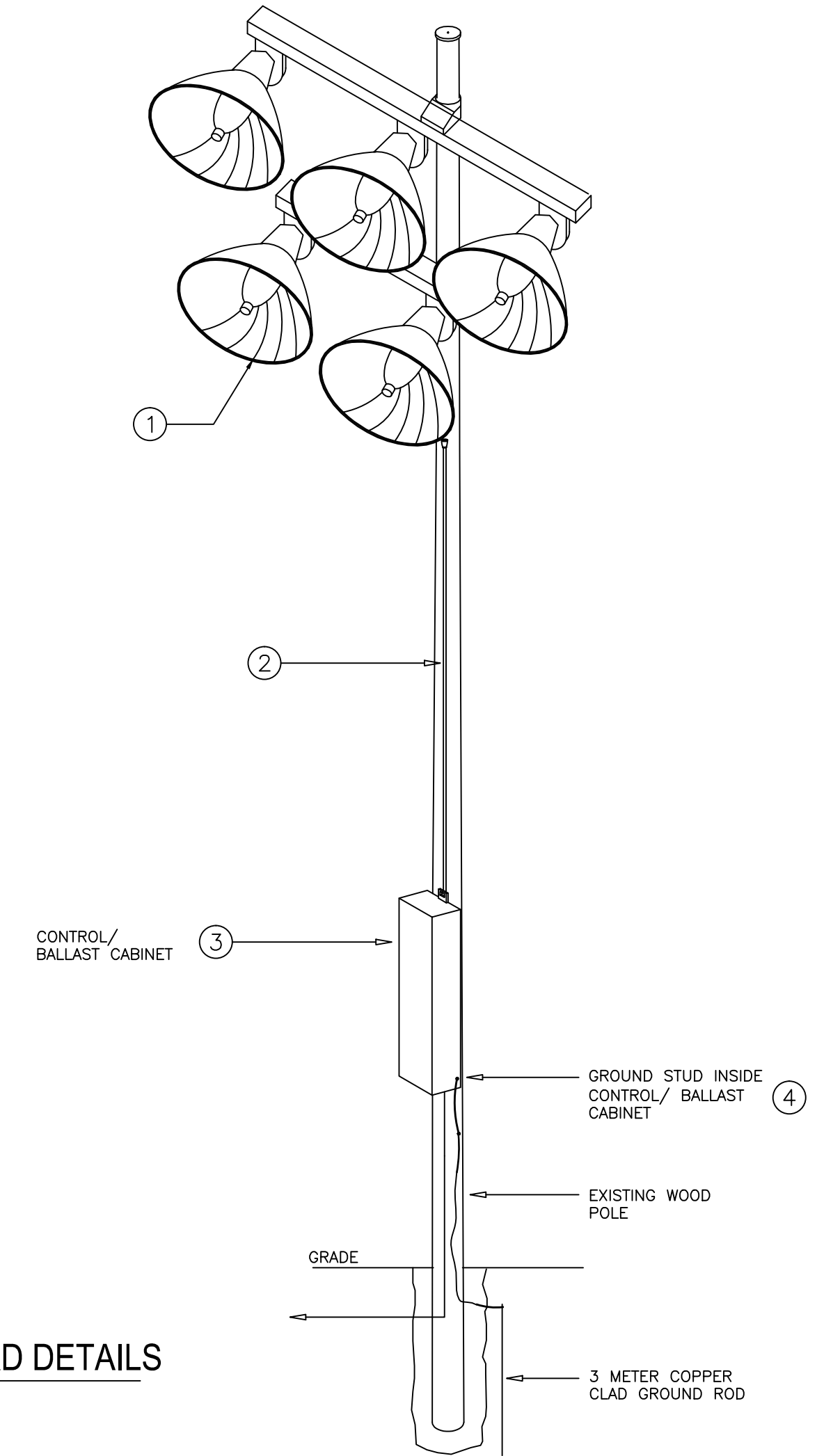
1. QUANTITIES OF FIXTURES PER POLE MAY VARY AND SHALL BE DETERMINED BY THE MANUFACTURER TO GUARANTEE A LIGHTING LEVEL OF 300 LUX (MAINTAINED) ON THE INFIELD AND 200 LUX (MAINTAINED) ON THE OUTFIELD.
2. COMPUTER GENERATED LIGHTING LEVEL CALCULATIONS SHALL BE SUBMITTED WITH THE TENDER PACKAGE VERIFYING THE REQUIRED LIGHTING LEVELS ARE MET.

- 1 TYPICAL FIXTURE ON POLE.
- 2 WIRING IN CONDUIT FROM BALLAST CONTROL CABINET TO FIXTURE.
- 3 CONTROL/BALLAST CABINET.
- 4 EXISTING WOODEN POLE.

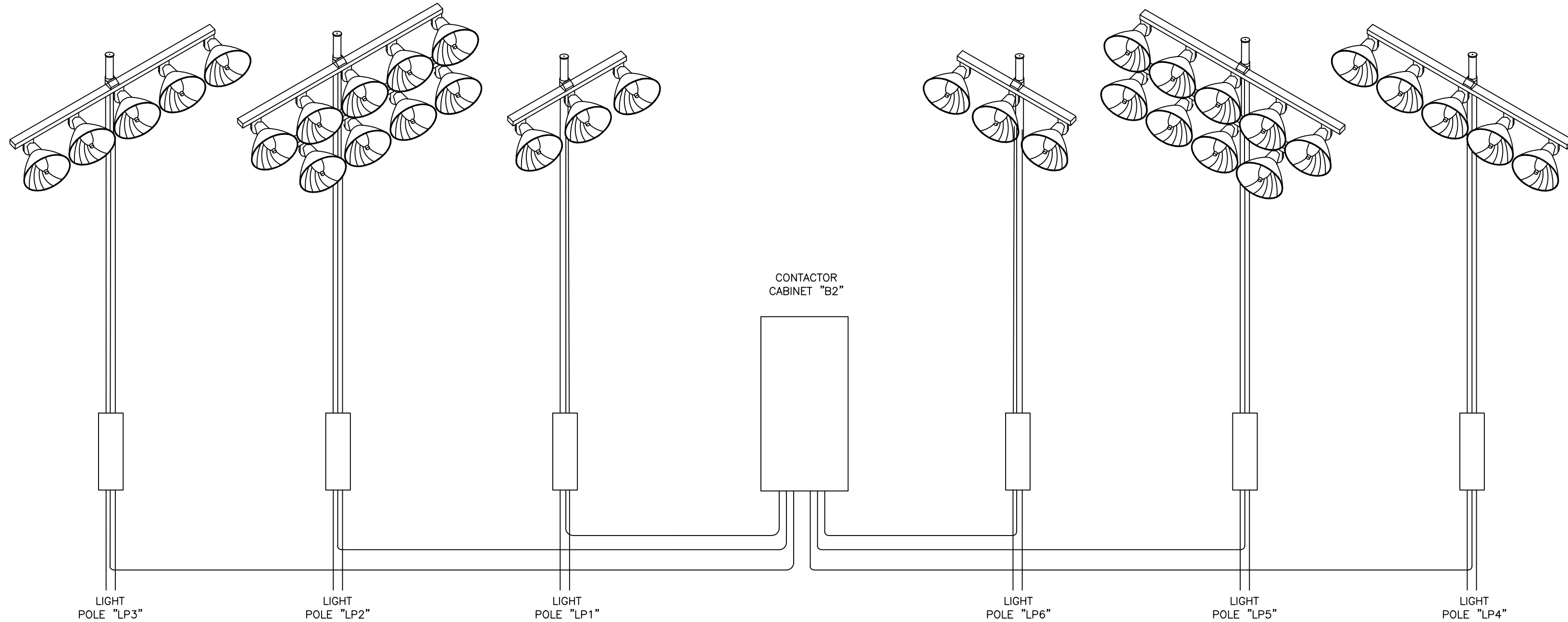
NOTES:

1. ROUTE GROUNDING CONDUCTOR THROUGH DOWN WOOD POLE AND ATTACHED TO GROUND ROD. CONNECTIONS TO BE OF THE COMPRESSION OR EXOTHERMIC WELDING TYPE.
2. GROUND ROD TO BE SET 600mm BELOW GRADE.

3 UPPER FIELD LIGHT STANDARD DETAILS
SCALE : N.T.S.



POLE #	POLE HEIGHT	# OF FIXTURES	HID LAMP WATTAGE
LP1	70'	3	1500W
LP2	80'	9	1500W
LP3	70'	5	1500W
LP4	70'	5	1500W
LP5	80'	9	1500W
LP6	70'	3	1500W
TOTALS		34	53040W



2 LOWER BALL FIELD LIGHTING WIRING SCHEMATIC
SCALE : N.T.S.

NOTES:

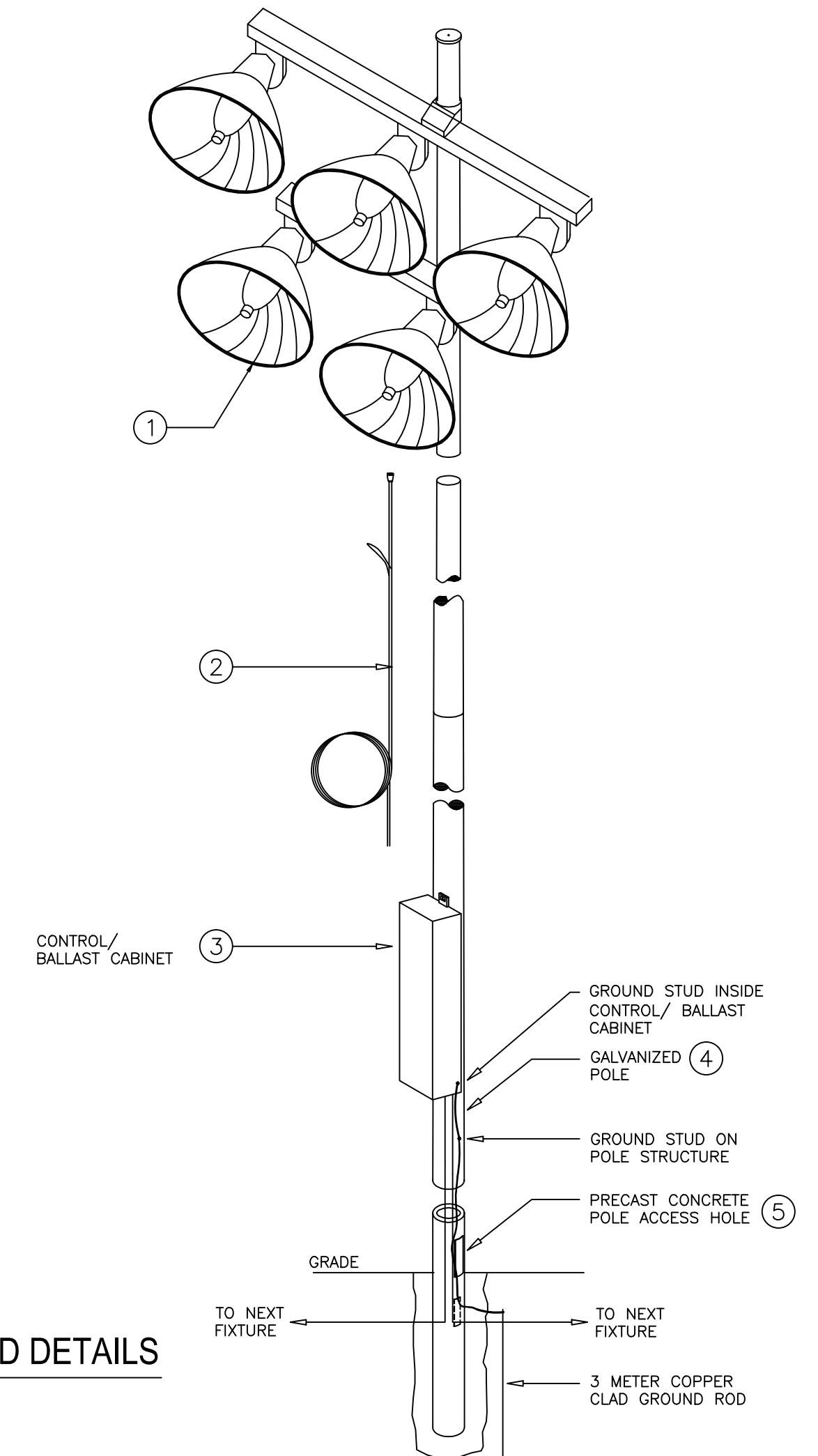
1. QUANTITIES OF FIXTURES PER POLE MAY VARY AND SHALL BE DETERMINED BY THE MANUFACTURER TO GUARANTEE A LIGHTING LEVEL OF 300 LUX (MAINTAINED) ON THE INFIELD AND 200 LUX (MAINTAINED) ON THE OUTFIELD.
2. COMPUTER GENERATED LIGHTING LEVEL CALCULATIONS SHALL BE SUBMITTED WITH THE TENDER PACKAGE VERIFYING THE REQUIRED LIGHTING LEVELS ARE MET.
3. CONTRACTOR TO AUGER 760mm HOLE (DEPTH TO BE DETERMINED BY CIVIL ENGINEER TOGETHER WITH LIGHTING SUPPLIER) FOR PLACEMENT OF PRECAST CONCRETE FIXTURE BASE. PROVIDE TWO 38mm CONDUIT SLEEVES FOR CONNECTION TO FIXTURE FEEDER SUPPLY CONDUITS AND ONE 21mm PVC CONDUIT FOR GROUNDING CONDUCTOR. STUB ALL CONDUITS 600mm OUT FROM POLE. BACKFILL HOLE WITH CONCRETE AND SET TRUE AND PLUMB.

- 1 TYPICAL FIXTURE ON POLE.
- 2 POWER CABLE FROM CONTROL CABINET TO FIXTURE.
- 3 CONTROL/BALLAST CABINET.
- 4 FIXTURE POLE.
- 5 PRECAST CONCRETE BASE.

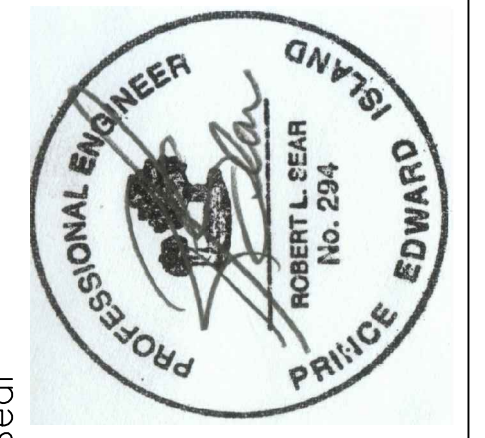
NOTES:

1. ROUTE GROUNDING CONDUCTOR THROUGH ACCESS HOLE IN CONCRETE BASE AND CONNECT TO GROUND ROD. CONNECTIONS TO BE OF THE COMPRESSION OR EXOTHERMIC WELDING TYPE.
2. GROUND ROD TO BE SET 600mm BELOW GRADE.

4 LOWER FIELD LIGHT STANDARD DETAILS
SCALE : N.T.S.



RICHARDSON ASSOCIATES
Engineering Consultants
1983 Limited
Telephone 902 565 6044
Facsimile 902 565 6889
E-mail bsar@rsas.com
P.O. Box 1057
565 North River Road, Suite 1
Charlottetown, PE
Canada C1A 7A4



Project	STRAFORD MACNEIL UPPER + LOWER FIELDS		
Detail	LIGHTING POLE CONFIGURATION + DETAILS		
Drawn	JH / MM	Approved	RLS
Project no.	2017082	Date	OCTOBER 6, 2017
Sheet no.	2017082-E2	Scale	AS NOTED