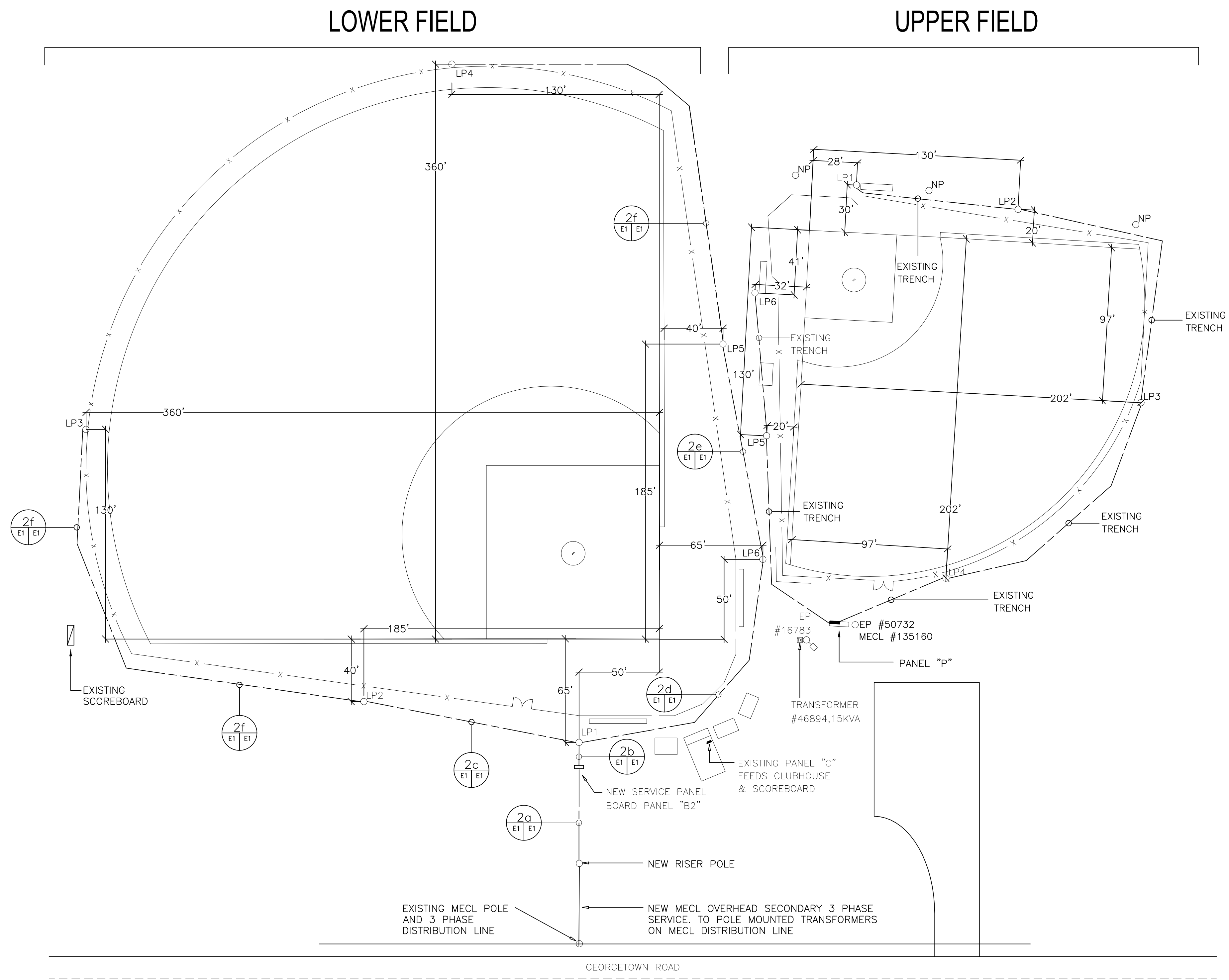
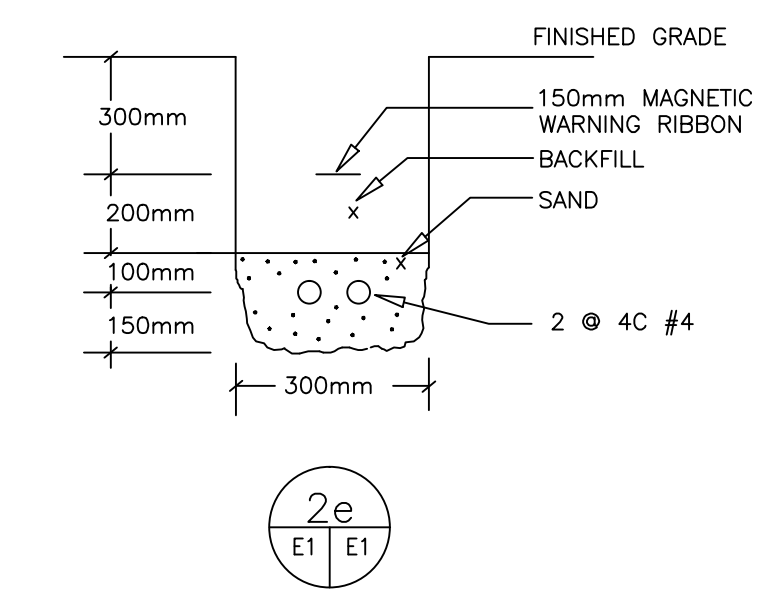
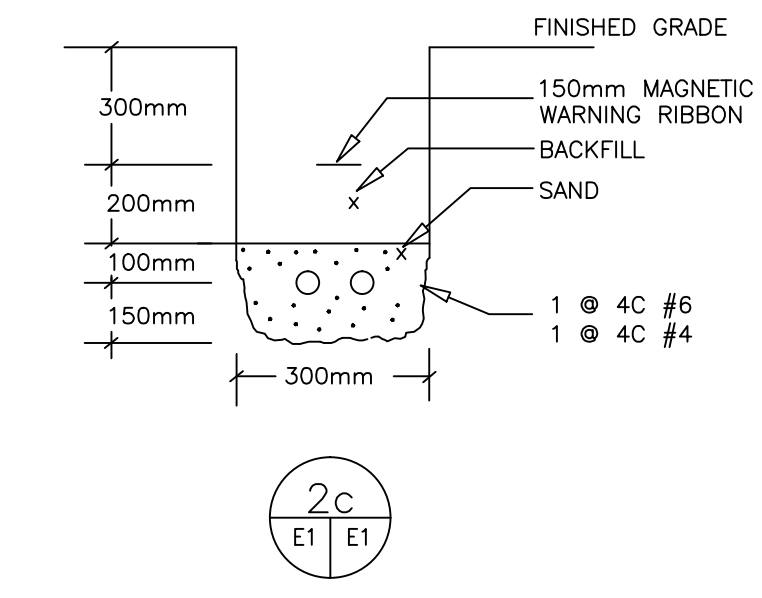
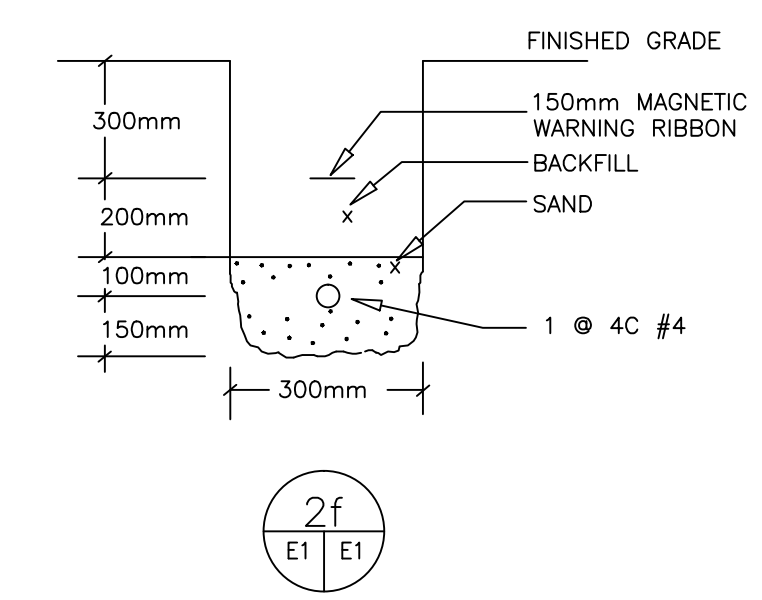
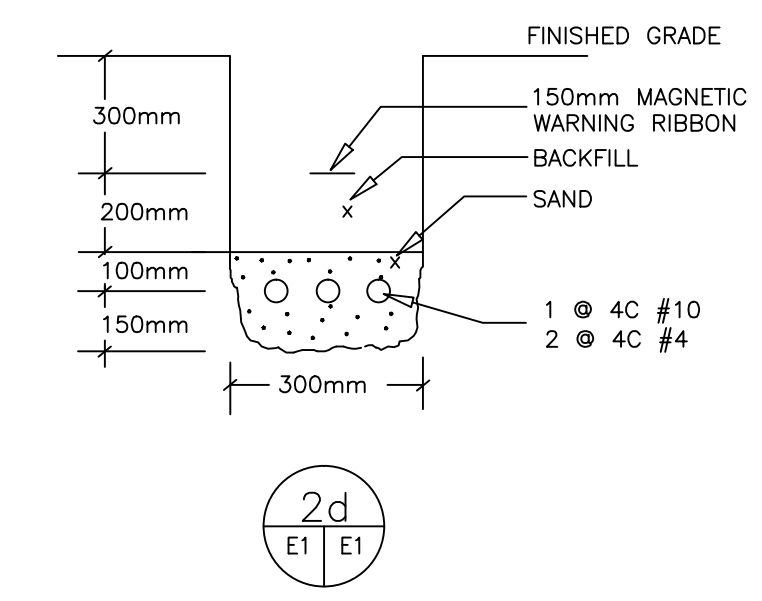
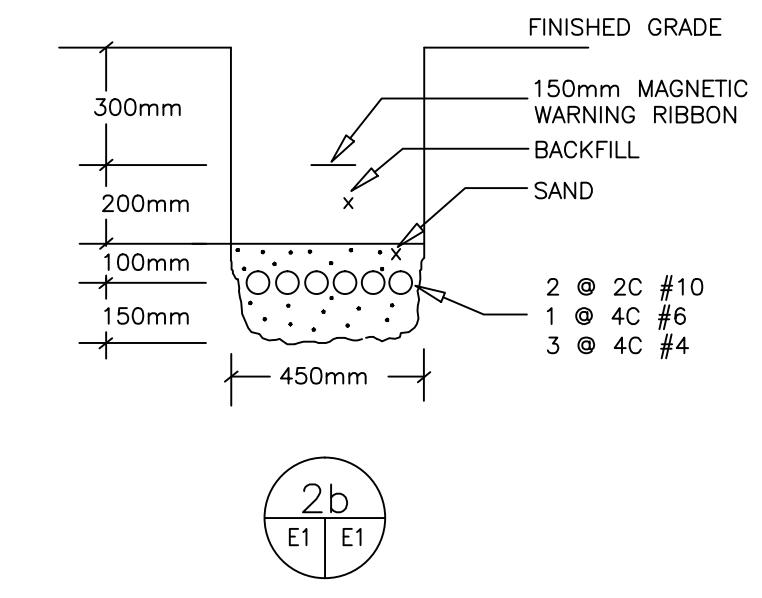
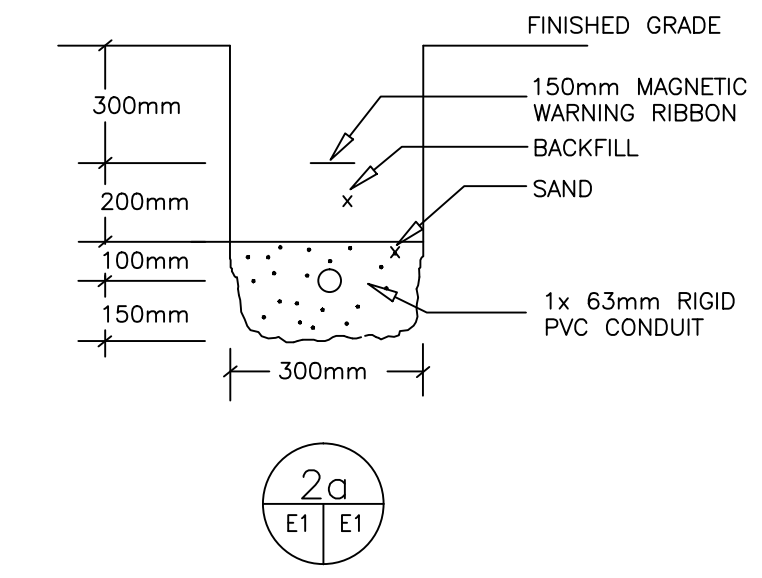


- GENERAL NOTES**
- FIELD SURVEY PERFORMED BY RICHARDSON ASSOCIATES (1993) LTD., AUGUST 2017.
- LEGEND**
- EXISTING CHAIN LINK FENCE — X —
  - EXISTING NETTING POLE ○ NP
  - EXISTING LIGHT POLE ○ LP#
  - EXISTING ELECTRICAL POLE ○ EP#
  - FIELD TILE ———
  - BOREHOLE ○ BH103
  - LED POLE MOUNTED PARKING LOT LUMINAIRE ○ □

- NOTES:**
- ALL CIVIL WORK EXCAVATING, TRENCHING, BACKFILLING AND REINSTATEMENT IS THE RESPONSIBILITY OF THIS CONTRACTOR.
  - SUPPLY, INSTALLATION AND ERECTION OF BALL FIELD LIGHTING FIXTURES SHALL BE PROVIDED BY THE THIS CONTRACTOR.
  - FIXTURE MANUFACTURER SHALL PROVIDE ALL MANPOWER REQUIRED FOR THE FINAL AIMING, ADJUSTMENTS, TRAINING AND COMMISSIONING OF THE COMPLETE SYSTEM PRIOR TO FINAL ACCEPTANCE AND TURN OVER TO THE OWNER. ELECTRICAL CONTRACTOR SHALL CARRY THIS COST IN THEIR BID.
  - EXISTING DIMENSIONS MAY VARY FROM WHAT IS SHOWN ON THE DRAWING.
  - CONTRACTOR SHALL EXERCISE CAUTION WHEN TRENCHING IN THE VICINITY FOR THE EXISTING UPPER FIELD AND WHEN TRENCHING ON THE LOWER FIELD BETWEEN THE EXISTING CLUBHOUSE AND THE EXISTING SCOREBOARD.



**1** UPPER + LOWER BALL FIELD - ELECTRICAL SITE PLAN  
 E1 E1 SCALE : 1" = 40'



- NOTES:**
- BACKFILLING OF TRENCH IN LAYERS NOT EXCEEDING 300mm (MECHANICALLY TAMPED).
  - EXCAVATED SOIL MAY BE USED FOR BACKFILL IF FREE FROM LARGE ROCKS AND DEBRIS.
  - HIGH VOLTAGE WARNING RIBBON TO BE BURIED AT 300mm.
  - ALL DIMENSIONS ARE IN MILLIMETERS.

**2** TRENCHING DETAILS LOWER FIELD  
 E1 E1 SCALE : N.T.S.



**Richardson Associates**  
 (1993) Limited  
 Engineering Consultants  
 565 North River Road, Suite 1  
 Chardon, Ontario L7A 7M4  
 Telephone: 905.566.1644  
 Facsimile: 905.566.1889  
 E-mail: raa@ria93.com  
 P.O. Box 1037  
 Chardon, Ontario L7A 7M4



Project	STRAITFORD MACNEIL UPPER + LOWER FIELDS
Detail	ELECTRICAL SITE PLAN + TRENCH DETAILS
Drawn	JH / MM
Approved	RLS
Date	OCTOBER 6, 2017
Project no.	2017082
Sheet no.	2017082-E1
Scale	AS NOTED